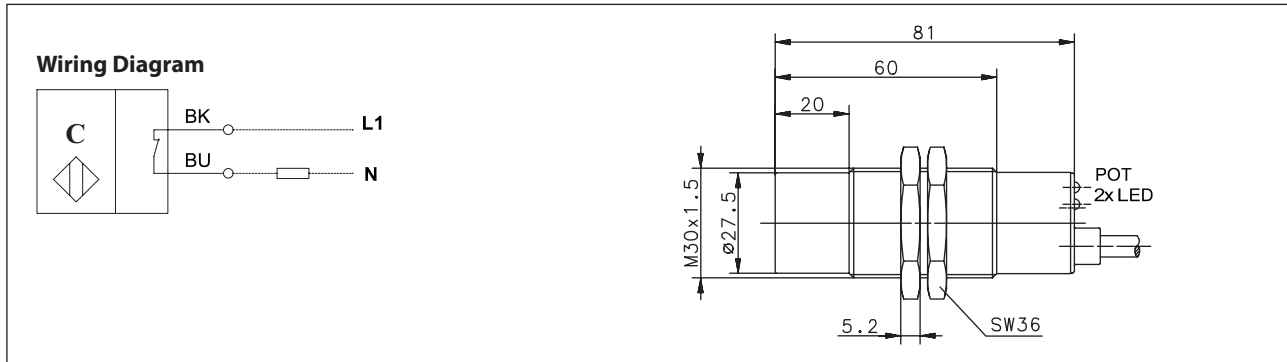


## Capacitive Proximity Switch Series M30

Description **KCN-T30AÖ/020-LP2**

Article number **6508423001**



### Identifying characteristics in accordance with EN 60947-5-2

Electrical data		
Rated operating distance	$S_n$	20 mm
Mounting		non flush
Standard target		3· $S_n$ x 3· $S_n$ x 1 mm; material: steel; connected to earth
Effective operating distance	$S_r$	5-20 mm; $S_r$ adjustable with potentiometer (POT); turn right $\triangleq$ high sensitivity, turn left $\triangleq$ low sensitivity
Assured operating distance	$S_a$	$0 \leq S_a \leq 0,8 \cdot S_r$
Switching element function		N.C.
Repeat accuracy	R	$\leq 0,1 \cdot S_r$
Differential travel (hysteresis)	H	$\leq 0,2 \cdot S_r$
Frequency of operating cycles	f	> 15 Hz
Rate doperational voltage	$U_e$	24 V - 230 V AC
Operational voltage range	$U_B$	20 V - 250 V AC
Rated insulation voltage	$U_i$	250 V AC
Rated impulse withstand voltage	$U_{imp}$	1500 V
Voltage drop	$U_d$	$\leq 10$ V AC (effective value)
Utilization category		AC-140 (Switching element)
Rated operational current	$I_e$	300 mA
Minimum operational current	$I_m$	5 mA
Off-state current	$I_r$	$\leq 3$ mA
Rated supply frequency		AC 50 Hz - 60 Hz
False polarity protection		with permutation of +, -, output no damage occurs
Time delay before availability	$t_v$	$\leq 300$ ms

Electromagnetic compatibility (EMC)		
Electromagnetic field test	IEC 61000-4-3	3 V/m, 80...1000 MHz
Electrostatic discharge test	IEC 61000-4-2	8 kV AD
Electrical fast transient immunity test (Burst)	IEC 61000-4-4	4 kV coupling clamp
Impulse voltage withstand ability (Surge)	IEC 61000-4-5	2 kV, 1,2/50 µs @ Ri = 42 Ω
Radiated disturbance field strength	EN 55011	≤ 40 dB (µV/m)

Mechanical Data	
Enclosure	PBT, black
End cap	PA6.6, black
Ambient air temperature	-25 °C ... +70 °C
Type of protection	IP67
Pollution degree	3 (Pollution of the optic can cause impairments of the operating distances.)
Indication	Power ON = LED green Output ON = LED yellow
Termination type	Cable 2 x 0,5 mm <sup>2</sup> x 2 m, PVC-outer jacket black
For attachment	Hexagon nut, PA6.6, black

EU Conformity
acc. to directive 2014/30/EU (EMC-Directive)